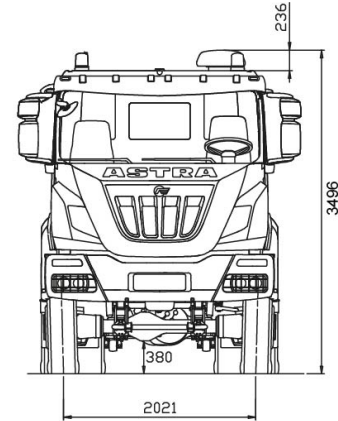
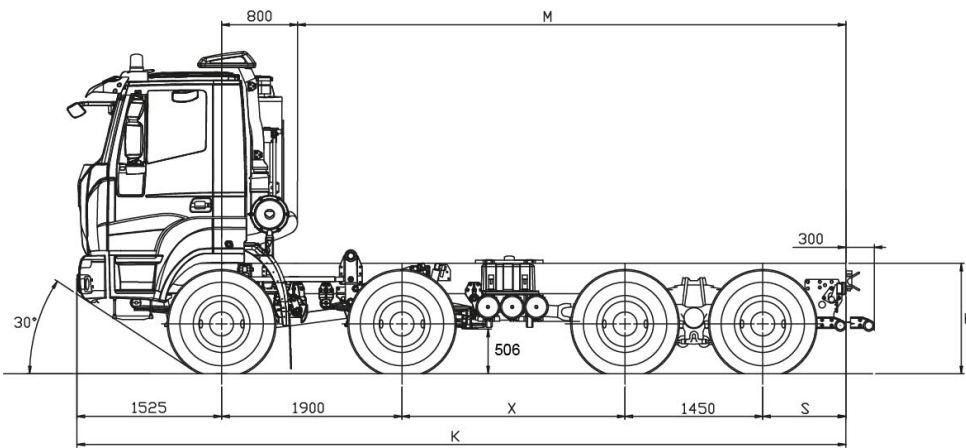




chassis 8x6
HD86.44



chassis 8x6



EURO 5

DIMENSIONS (MM)

X	K	M max(*)	S	H		TURNING DIAMETER (wall to wall)
				unloaded	loaded	
2350	8425	6100	1200	1249	1189	19800
2600	8675	6350	1200	1249	1189	20600
2850	8925	6600	1200	1249	1189	21400
3100	9175	6850	1200	1249	1189	22200
3350	9425	7100	1200	1249	1189	23000
3600	9975	7650	1500	1249	1189	23800
4100	10475	8150	1500	1249	1189	25400

(*) M max.: indicative value to be confirmed by bodybuilder.
(Tyres 13R22.5).

WEIGHTS (KG)

X	Distribution net weight(*)			Max technical weight			
	Front axles	Rear axles	Net Weight	Front axles	Rear axles	Gross Vehicle Weight	Gross Combination Weight
2350	7155	4195	11350	16000 18000 (1)	32000 (2)	50000 (2)	104000 130000 (3)
2600	7145	4230	11375				
2850	7135	4260	11395				
3100	7140	4300	11440				
3350	7135	4325	11460				
3600	7115	4390	11505				
4100	7125	4440	11565				

(*) Net weight including driver with tanks filled to at least 90%, equipped with standard equipment according to the manufacturer's specifications and, if fitted, the mass of the bodywork, spare wheels and tool box.

(1) With tyres on front axles 385/65R22.5 or 325/95R24 and reinforced springs (OPT). (2) With tyres 325/95R24 or max speed limited to 70 Km/h depending on pneus type and brand. (3) For manual gearbox with additional parking brake air chambers. For automated gearbox check mission and configuration with Tech. Dept. **The data shown are indicative and non-binding. Payload and vehicle dimension data must always be verified during final testing. Do not use the drawing in the present sheet to design the equipment. Astra reserves the right to make any changes at any time and without notice.**



ENGINES

CURSOR 13 turbo intercooler diesel injection/cycle with electronic unit injection pumps. 6 in-line cylinders. Single block head, four valves per cylinder, light alloy pistons. Total displacement: 12.882 cm³. Bore for stroke: 135 x 150 mm. Water cooling. Dry air filter with safety cartridge. Vertical muffler. Emissions according to Euro 5 regulation norms SCR (Selective Catalytic Reduction) system composed of catalytic muffler, AdBlue-tank, injection and control system.

Max.power(EEC)	324 KW (440 HP) @ 1900 rpm
Max.torque(EEC)	2200 Nm (224 kgm) @ 1000 - 1440 rpm
Turbine	VGT(Variable Geometry Turbocharger)



GEARBOX

Manual **ZF16S2520TO** Ecosplit 4 technology gearbox with servoshift, 16 synchronised forward speeds + 2 reverse:

On request:

Automated **TX 2610 TO**, 12 forward speeds + 2 reverse

Automated **ASTRONIC ZF16AS2630TO**

Fully automatic **ALLISON HD 4700**, 7 forward speeds + 1 reverse



CLUTCH

Single dry plate, diameter 17". Pull type engagement with diaphragm spring. Hydropneumatic power steering engagement control, with driven disc wear recovery slave cylinder.



TRANSFER BOX

Mechanical with two ratios. Helical spur gears, mounted on three shafts, engaged with each other. Lockable differential by pneumatic control from driver seat. Airol cooler. Transmission ratio 1:1 - 1:1,16. Front/rear torque distribution ratio 1:2,2.



AXLES

FRONT

1st axle driving and steering, with double reduction: central by bevel gear, final by planetary gear in wheel hubs. 2nd axle in high tensile pressed steel, steering, not driving.

On request: Cross-axle differential lock.

Reinforced front axle: max technical weight 8 ton or 9 ton (with reinforced suspension). Available axle ratio: 5,01 - 5,47 - 5,96 - 6,28.

REAR

Two driving axles in tandem, with double reduction: central with bevel gear, final by planetary gear in wheel hubs, interaxle and cross-axle differential lock. Tandem linked to the chassis by reaction rods with silentblocks.

On request:

Available rear-axle ratios: 1:3,793; 1:4,229 - 1:5,009 - 1:5,558 - 1:6,095 - 1:6,588.



SUSPENSIONS

FRONT

Parabolic springs, n° 3 leaves 26x90 mm, hydraulic shock absorbers. Standard stabilizer bar on 1st axle.

On request:

Stabilizer bar on 2nd axle.

Reinforced parabolic springs, n° 4 leaves 26x90 mm (mandatory with 9t version).

REAR

Parabolic springs, swiveling on central pin: n° 4 leaves 40x100mm, torque bars and stiffening brackets. Standard stabilizer bar on 4th axle.

On request:

Stabilizer bar on 3rd axle.

Extra-reinforced conventional springs, n° 10 leaves 25x100 mm.



CHASSIS

Special steel with high tensile strength limit, two flat and parallel side members (width 820 mm.), C section (320x90x10mm), cross members bolted to the frame. R.B.M. (Rail Bending Moment): 202.020 Nm (20.593 Kgm.). Steel front bumpers with headlamp protection grids, front maneuvering hook, rear underrun bar, rubber mud-guard 2nd axle, steel fuel tank capacity 300 litres.



TYRES

FRONT: 13R22,5 156/150 G Single tubeless

REAR: 13R22,5 156/150 G Twin tubeless

Spare wheel on the chassis.

Other possible combinations:

315/80R22.5 156/150K

385/65R22.5 160J (*) + 315/80R22.5 156/150K

325/95R24 162/160K (*)

(*) Mandatory with 9 ton front axle load.

Other tyres available, subject to the Astra technical office approval.



BRAKES

Front and rear "duo-duplex" self-adjusting wedge type brakes with automatic play take-up. Total net braking surface 12.058 cm². ABS + EBL system.

Service brake: Pedal controlled air brake, acting on all wheels. Solo vehicles: two independent circuits, one for 1st and 2nd axle, one for 3rd and 4th axle. Towing vehicles: three independent circuits, one for 1st and 2nd axle, one for 3rd and 4th axle and another for the trailer.

Emergency brake: Incorporated in service brake.

Parking brake: Mechanical spring-type with pneumatic control acting on 3rd and 4th axle wheels.

IVECO TURBO BRAKE engine brake: braking power 255 kW (347 HP)

On request:

Hydraulic interarder.

OFF/ROAD button for excluding ABS for speed 15 kph.



ELECTRICAL SYSTEM

Voltage: 24 V

Alternator generator 90 A - 28 V (2520 W).

Accumulators: 2 in series, 180 Ah.

Starter motor 24 V 5,5 kW.

Mechanically controlled electrical circuit breaker.



CAB

Standard white short cab built in galvanized pressed steel with hydraulic tilting up to 60°. Cab suspension with 4 helicoidal springs with coaxial shock absorbers and integrated dampers, anti-roll bar and end-of-stroke pads. Tinted electric door windows. Mechanical rear view mirrors, wide angle mirrors and front view mirror. Internal panels completely washable and fireproof. Compressed air quick coupling for cab cleaning. 4-speed ventilation and heating system with air recirculation system. Air suspended 3-way adjustable driver seat and mechanical passenger seat.