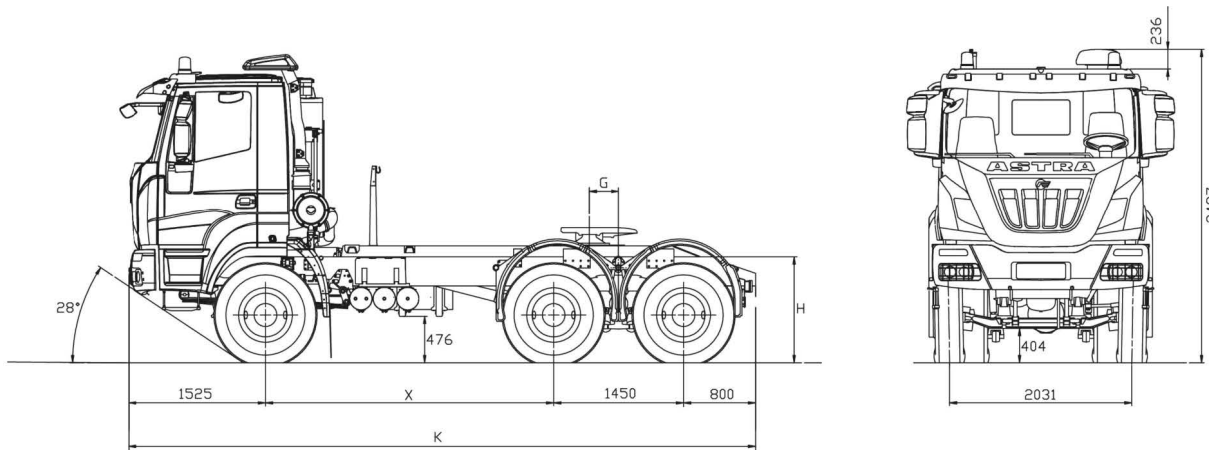




Tractor 6x4 HD64.44T



DIMENSIONS (mm)

X	K	G(I)	M max(*)	S	H		TURNING DIAMETER (wall to wall)
					unloaded	loaded	
3200	6975	300		800	1192	1129	15900
3500	7275	300		800	1192	1129	16800
3800	7575	300		800	1192	1129	17800
4100	7875	300		800	1192	1129	18700

Weight and dimensions with std tyres 13 R22.5. (I) Standard fifth wheel position. In case of different positioning needs, the quote may change in relation with the technical GVW of the vehicle. Values to be confirmed in combination with the semitrailer.

WEIGHTS (kg)

X	Distribution net weight(*)			Max technical weight				
	First axle	Rear axles	Net Weight	First axle	Rear axles	Weight on Fifth Wheel	Gross Vehicle Weight	Gross Combination Weight
3200	4930	5205	10135	8000 9000 (1)	32000 (2)	29865	40000 (2)	104.000 130.000 (3)
3500	4955	5210	10165			29835		
3800	4990	5225	10215			29785		
4100	5010	5230	10240			29760		

(*) Net weight including driver with tanks filled to at least 90%, equipped with standard equipment according to the manufacturer's specifications and, if fitted, the mass of the bodywork, spare wheels and tool box.

(1) With tyres on front axles 385/65R22.5 or 325/95R24 and reinforced springs (OPT).

(2) With tyres 325/95R24 or max speed limited to 70Km/h depending on pneus type and brand.

(3) For manual gearbox with additional parking brake air chambers. For automated gearbox check mission and configuration with Technical Dept.

The data shown are indicative and non-binding. Payload and vehicle dimension data must always be verified during final testing. Do not use the drawing in the present sheet to design the equipment. Astra reserves the right to make any changes at any time and without notice.



ENGINE

CURSOR 13 turbo intercooler electronic common rail with Hi-eSCR system. 6 in-line cylinders. Single block head, four valves per cylinder, light alloy pistons. Total displacement: 12.882 cm³. Bore for stroke: 135 x 150 mm. Water cooling. Dry air filter with safety cartridge.

Max.power(EEC)	324 KW (440 HP) @ 1900 rpm
Max.torque(EEC)	2100 Nm (214 kgm) @ 900 - 1470 rpm
Turbine	VGT



GEARBOX

Manual **ZF 16S2220TO** Ecosplit 4 technology gearbox with servoshift, 16 synchronised forward speeds + 2 reverse

On request: ZF16S2320 TD - ZF 16S2630 TO



CLUTCH

Single dry plate, diameter 17". Pull type engagement with diaphragm spring. Hydropneumatic power steering engagement control, with driven disk wear recovery slave cylinder.



AXLES

FRONT

Steering, hot moulding in high tensile steel. Wheel stud protection.

REAR

Double drive axles. Double reduction: crown wheel and pinion centrally and epicyclic group in wheel hubs. 2nd axle with torque distributor to the two rear axles. Lockable differentials from driver seat. Tandem assembled to the chassis by reaction rods with silentblock.

On request:

Rear-axle ratio 1:3,793
Rear-axle ratio 1:4,229
Rear-axle ratio 1:5,009
Rear-axle ratio 1:5,558
Rear-axle ratio 1:6,095



SUSPENSIONS

FRONT

1st axle, parabolic springs, n° 4 leaves 24x90 mm, with hydraulic shock absorbers. Standard stabilizer bar.

On request:

Reinforced parabolic springs, n° 5 leaves 24x90 mm. Mandatory with 9 t axle load.

REAR

Parabolic springs, swivelling on central pin: n° 4 leaves 40x100 mm.

On request:

Stabilizer bar on 2nd axle. Stabilizer bar on 3rd axle.
Extra-reinforced conventional springs, n° 10 leaves 25x100 mm.



CHASSIS

Special steel with high tensile strength limit, two flat and parallel side members (width 820 mm.), C section (320x90x10mm), cross members bolted to the frame. R.B.M. (Rail Bending Moment): 202.020 Nm (20.593 Kg.m.). Steel front bumpers with headlamp protection grids, front manoeuvring hook, subframe, rear underrun bar, steel fuel tank capacity 300 litres. Spot and side alighting step, rubber mudguards on 2nd and 3rd axles, toolbox.

On request:

Fifth wheel



STEERING

ZF 8098 quadrilateral power steering on front axle wheels with variable ratio 1:22.2/1:26.2 with auxiliary cylinder. Circuit with main hydraulic pump on engine and emergency pump on gearbox. Steering rods with self-lubricating joints. Height and inclination pneumatic adjustable steering column.



TYRES

FRONT: 13R22,5 156/150 G Single tubeless

REAR: 13R22,5 156/150 G Twin tubeless

Spare wheel on the chassis.

Other Possible combinations:

315/80 R22,5 156/150K

385/65 R22,5 160J (*) + 315/80 R22,5 156/150K

325/95 R24 162/160K (*)

(*) Mandatory with 9 ton front axle load.

Other tyres available, subject to Astra technical office approval.



BRAKES

Front and rear "duo-duplex" self-adjusting wedge type brakes with automatic play take-up. Total net braking surface 9.276 cm². ABS + EBL.

Service brake: Pedal controlled air brake, acting on all wheels. Solo vehicles, two independent circuits, one for 1st axle, one for 2nd and 3rd axle; 1st category wheels anti-lock system. Towing vehicles, three independent circuits, one for 1st axle, one for 2nd and 3rd axle and another for the trailer.

Emergency brake: Incorporated in service brake.

Parking brake: Manual spring-type mechanical with pneumatic control acting on 2nd and 3rd axle wheels.

IVECO SUPER ENGINE BRAKE: braking power 255 kW (342 HP).

On request:

Hydraulic interarder.

OFF/ROAD button for excluding ABS for speed 15 kph.



ELECTRICAL SYSTEM

Voltage: 24 V

Alternator generator 90 A - 28 V (2520 W).

Accumulators: 2 in series, 180 Ah.

Starter motor 24 V 5,5 kW.

Mechanically controlled electrical circuit breaker.



CAB

White cab built in galvanized pressed steel with hydraulic tilting up to 60°. Cab suspension with 4 helicoidal springs with coaxial shock absorbers and integrated dampers, antiroll bar and end-of-stroke pads. Tinted electric door windows. Internal panels completely washable and fireproof. Rapid pneumatic connection for cab cleaning. 4-speed ventilation and heating system with air recirculation system. Air suspended 3-way adjustable driver seat with seat belts. Mechanical passenger seat with seat belts.

The data shown are indicative and non-binding. Payload and vehicle dimension data must always be verified during final testing.

Do not use the drawing in the present sheet to design the equipment.

Astra reserves the right to make any changes at any time and without notice.