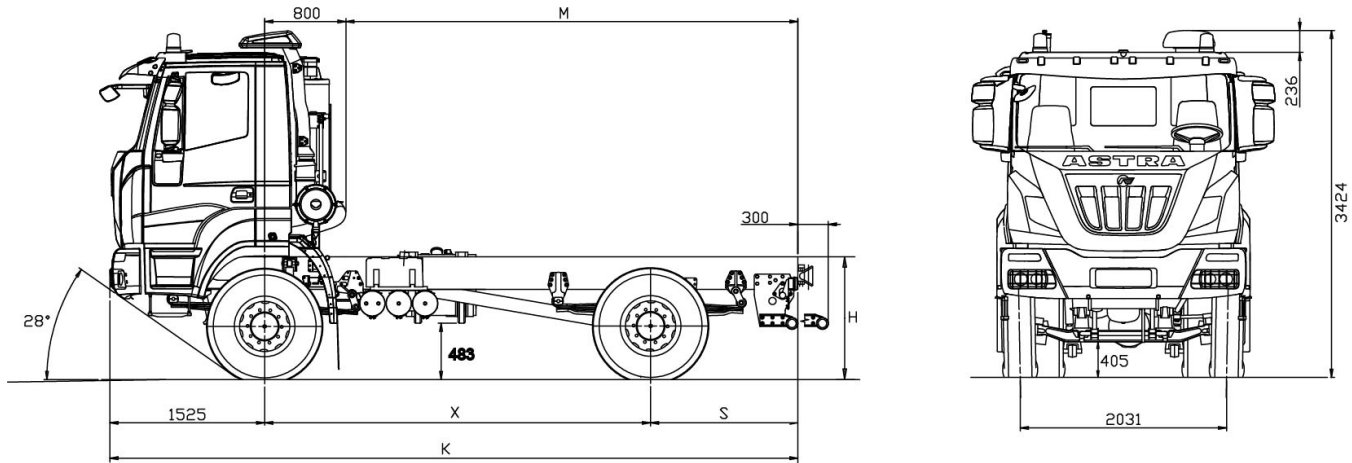



**chassis 4x2  
HD42.4I**

**DIMENSIONS (MM)**

X	K	M max(*)	S	H		TURNING DIAMETER (wall to wall)
				unloaded	loaded	
3800	6775	4450	1450	1155	1110	15500
4200	7575	5250	1850	1155	1110	16700
4600	8375	6050	2250	1155	1110	18000
5100	8875	6550	2250	1155	1110	19500

(\*) M max.: indicative value to be confirmed by bodybuilder.  
(Tyres 315/80R22.5)

**WEIGHTS (KG)**

X	Distribution net weight(*)			Max technical weight			
	First axle	Rear axles	Net Weight	First axle	Rear axles	Gross Vehicle Weight	Gross Combination Weight
3800	5050	2390	7440	8000 9000 (1)	13000	22000 (2)	55000
4200	5045	2440	7485				
4600	5055	2515	7570				
5100	5090	2530	7620				

(\*) Net weight including driver with tanks filled to at least 90%, equipped with standard equipment according to the manufacturer's specifications and, if fitted, the mass of the bodywork, spare wheels and tool box.

(1) With tyres on front axles 385/65R22.5 or 325/95R24 and reinforced springs (OPT).

Higher speeds are allowed with load reductions subject to Astra technical office approval.  
Other tyres available, subject to Astra technical office approval.



## ENGINES

**CURSOR 13** turbo intercooler diesel injection/cycle with electronic unit injection pumps. 6 in-line cylinders. Single block head, four valves per cylinder, light alloy pistons. Total displacement: 12.882 cm<sup>3</sup>. Bore for stroke: 135 x 150 mm. Water cooling. Dry air filter with safety cartridge. Vertical muffler. Emissions according to Euro 5 regulation norms SCR (Selective Catalytic Reduction) system composed of catalytic muffler, AdBlue-tank, injection and control system.

Max.power(EEC) 302 KW (410 HP) @ 1900 rpm  
 Max.torque(EEC) 2100 Nm (214 kgm) @ 1000 - 1440 rpm  
 Turbine WASTE GATE



## GEARBOX

Manual **ZF 16S2220TO** Ecosplit 4 technology gearbox with servoshift, 16 synchronised forward speeds + 2 reverse:

**On request:**  
**ZF16S2320TD**

		Speed [kph] calculated at maximum power rpm																	
		Gears / Gear ratios																	
Gearbox model	Rear axle ratio	1st	2nd	3rd	4th	5th	6th	7th	8th	9th	10th	11th	12th	13th	14th	15th	16th	rev. 1st	rev. 2nd
<b>16S 2220 TO</b>		13.8	11.54	9.49	7.93	6.53	5.46	4.57	3.82	3.02	2.53	2.08	1.74	1.43	1.2	1.00	.84	12.92	10.8
	<b>4.227</b>	6.41	7.67	9.33	11.16	13.55	16.21	19.37	23.17	29.31	34.99	42.55	50.87	61.90	73.76	88.51	105.37*	6.85	8.20
<b>16S 2320 TD</b>		16.41	13.8	11.28	9.49	7.76	6.53	5.43	4.57	3.59	3.02	2.47	2.08	1.7	1.43	1.19	1.00	15.36	12.92
	<b>4.227</b>	5.39	6.41	7.85	9.33	11.41	13.55	16.30	19.37	24.66	29.31	35.84	42.55	52.07	61.90	74.38	88.51	5.76	6.85

(\*) Max limited speed 90 km/h. Other speeds available, subject to the Astra technical office approval.



## CLUTCH

Single dry plate, diameter 17". Pull type engagement with diaphragm spring. Hydropneumatic power steering engagement control, with driven disc wear recovery slave cylinder.

**On request:**  
 Ceramic clutch 17".



## AXLES

### FRONT

Steering, hot moulding in high tensile steel.

### REAR

Driving axle with double reduction: central with bevel gear, final by planetary gear in wheel hubs. Cross-axle differential lock.

**On request:** Rear-axle ratio 1:3.793; 1:4.229; 1:5.009; 1:5.558; 1:6.095; 1:6.588.



## SUSPENSIONS

### FRONT

1st axle, parabolic springs, 4 leaves 24x90 mm, with hydraulic shock absorbers. Standard stabilizer bar.

**On request:**  
 Reinforced parabolic springs, 5 leaves 24x90 mm (mandatory with 9t version).

### REAR

Parabolic springs, 4 leaves 24x90 mm + 1 leaf 50x90 mm, with hydraulic shock absorbers. Standard stabilizer bar.



## CHASSIS

Special steel with high tensile strength limit, two flat and parallel side members (width 820 mm.), C section (320x70x8 mm), cross members bolted to the frame. R.B.M. (Rail Bending Moment): 143.149 Nm (14.597 Kg.m.). Steel front bumpers with headlamp protection grids, front manoeuvring hook, rear underrun bar, steel fuel tank capacity 300 litres.



## TYRES

**FRONT:** 315/80R22.5 156/150 K Single tubeless

**REAR:** 315/80R22.5 156/150 K Twin tubeless

Spare wheel on the chassis.

Other Possible combinations:

13 R22.5 156/150K

385/65 R22.5 160J (\*) + 315/80 R22.5 156/150K

325/95R24 162/160K (\*)

(\*) Mandatory with 9t front axle load.

Other tyres available, subject to the Astra technical office approval.



## BRAKES

Front and rear drum brakes, Duo-Duplex with automatic slack adjuster. ABS + EBL system.

**Service brake:** Pedal controlled air brake, acting on all wheels.

Solo vehicles: two independent circuits, one for 1st axle, one for 2nd axle.

**Towing vehicles:** three independent circuits, one for 1st axle, one for 2nd axle and another for the trailer.

**Emergency brake:** Integrated in service brake.

**Parking brake:** Mechanical spring-type with pneumatic control acting on 2nd axle wheels.

**IVECO BRAKE TURBO** engine brake: braking power 200kW (272 HP).

**On request:**

1st axle immobiliser system.

OFF/ROAD button for excluding ABS for speed 15 kph.



## ELECTRICAL SYSTEM

Alternator generator 90 A - 28 V (2520 W).

Accumulators: 2 in series, 180 Ah.

Starter motor 24 V 5.5 kW.

Mechanically controlled electrical circuit breaker.



## CAB

Standard white short cab built in galvanized pressed steel with hydraulic tilting up to 60°. Cab suspension with 4 helicoidal springs with coaxial shock absorbers and integrated dampers, anti-roll bar and end-of-stroke pads. Tinted electric door windows. Mechanical rear view mirrors, wide angle mirrors and front view mirror. Internal panels completely washable and fireproof. Compressed air quick coupling for cab cleaning. 4-speed ventilation and heating system with air recirculation system. Air suspended 3-way adjustable driver seat with seat belts. Mechanical passenger seat with seat belts.