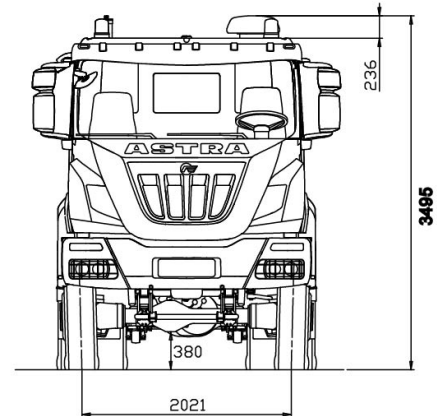
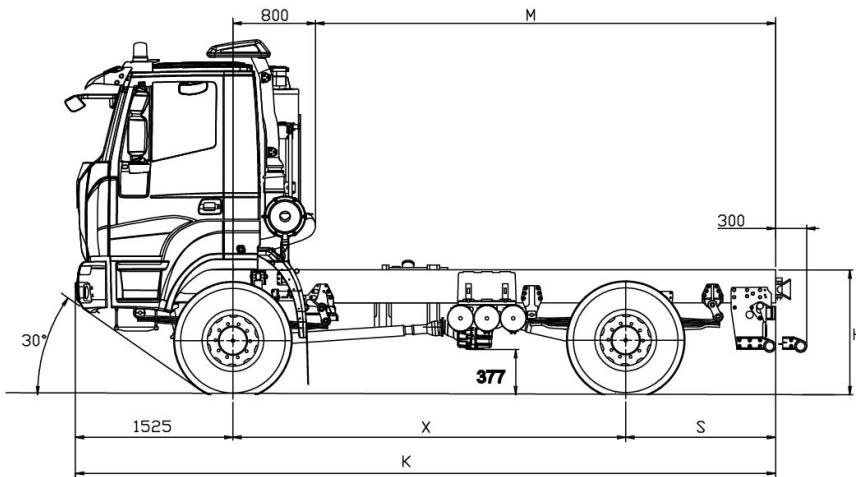



**chassis 4x4
HD44.38**

DIMENSIONS (MM)

X	K	M max(*)	S	H		TURNING DIAMETER (wall to wall)
				unloaded	loaded	
3800	6775	4450	1450	1226	1148	16000
4200	7575	5250	1850	1226	1148	17300
4600	8375	6050	2250	1226	1148	18600
5100	8875	6550	2250	1226	1148	20200
6700	11675	9350	3450	1226	1148	25300

(*) M max.: indicative value to be confirmed by bodybuilder.
(Tyres 315/80R22.5).

WEIGHTS (KG)

X	Distribution net weight(*)			Max technical weight			
	First axle	Rear axles	Net Weight	First axle	Rear axles	Gross Vehicle Weight	Gross Combination Weight
3800	5235	2510	7745	8000 9000 (1) 10000 (2)	13000	21000 (3)	55000
4200	5225	2565	7790				
4600	5225	2635	7860				
5100	5260	2635	7895				
6700	6165	1835	8000				

(*) Net weight including driver with tanks filled to at least 90%, equipped with standard equipment according to the manufacturer's specifications and, if fitted, the mass of the bodywork, spare wheels and tool box.

(1) With tyres on front axles 385/65R22.5 or 325/95R24 and reinforced springs (OPT).

(2) With Kessler front axle and max speed limited to 70 km/h, depending on tyre type and brand.

(3) Higher speeds/loads are allowed with load/speed reductions, subject to Astra technical office approval.

The data shown are indicative and non-binding.

Payload and vehicle dimension data must always be verified during final testing.

Do not use the drawing in the present sheet to design the equipment. Astra reserves the right to make any changes at any time and without notice.



ENGINES

CURSOR 13 turbo intercooler euro 3 diesel injection/cycle with electronic unit injection pumps. Single block head, four valves per cylinder, light alloy pistons. Total displacement: 12.882 cm³. Bore for stroke: 135 x 150 mm. 6 in-line cylinders. Water cooling. Dry air filter with safety cartridge. Vertical muffler.

Max.power(EEC)	279 KW (380 HP) @ 1900 rpm
Max.torque(EEC)	1800 Nm (183 kgm) @ 900 - 1500 rpm
Turbine	with waste gate valve

GEARBOX

Manual **ZF 16S2220TO** Ecosplit 4 technology gearbox with servoshift, 16 synchronised forward speeds + 2 reverse:



CLUTCH

Single dry plate, diameter 17". Pull type engagement with diaphragm spring. Hydro-pneumatic power steering engagement control, with driven disc wear recovery slave cylinder.



TRANSFER BOX

Mechanical with two ratios. Helical spur gears, mounted on three propeller shafts, engaged with each other. Lockable differential by pneumatic control from driver seat. Transmission ratio: 1:1 - 1:1.6. Front/rear torque distribution ratio: 1:2.2.



AXLES

FRONT

1st axle driving and steering, with double reduction: central by bevel gear, final by planetary gear in wheel hubs.

On request:

Cross-axle differential lock.

Kessler front axle:

8 ton version

9 ton version with reinforced suspension

10 ton version with reinforced suspension and steering system

REAR

Driving axle with double reduction: central with bevel gear, final by planetary gear in wheel hubs. Cross-axle differential lock.

On request: Rear-axle ratio 1:3.793; 1:4.229; 1:5.009; 1:5.558; 1:6.095; 1:6.588.



SUSPENSIONS

FRONT

1st axle, parabolic springs, 4 leaves 24x90 mm, with hydraulic shock absorbers. Standard stabilizer bar.

On request:

Reinforced parabolic springs, 5 leaves 24x90 mm (mandatory with 9t version).

REAR

Parabolic springs, 4 leaves 24x90 mm + 1 leaf 50x90 mm, with hydraulic shock absorbers. Standard stabilizer bar.



CHASSIS

Special steel with high tensile strength limit, two flat and parallel side members (width 820 mm.), C section (320x70x8 mm), cross members bolted to the frame. R.B.M. (Rail Bending Moment): 143.149 Nm (14.597 Kgm.). Steel front bumpers with headlamp protection grids, front manoeuvring hook, rear underrun bar, steel fuel tank capacity 300 litres.



TYRES

FRONT: 315/80R22.5 156/150 K Single tubeless

REAR: 315/80R22.5 156/150 K Twin tubeless

Spare wheel on the chassis.

Other Possible combinations:

13 R22.5 156/150K

385/65R22.5 160J (*) + 315/80R22.5 156/150K

325/95R24 162/160K (*) (**)

16.00R20 173G (*) (**)

14.00R20 164G (*) (**)

395/85R20 168G (*) (***) + 525/65R20.5 173F

395/85R20 168G (*) (**)

(*) Mandatory with 9 ton front axle load.

(**) Mandatory with 10 ton front axle load.

Other tyres available, subject to the Astra technical office approval.



BRAKES

Front and rear drum brakes, Duo-Duplex with automatic slack adjuster.

ABS + EBL system.

Service brake: Pedal controlled air brake, acting on all wheels.

Solo vehicles: two independent circuits, one for 1st axle, one for 2nd axle.

Towing vehicles: three independent circuits, one for 1st axle, one for 2nd axle and another for the trailer.

Emergency brake: Integrated in service brake.

Parking brake: Mechanical spring-type with pneumatic control acting on 2nd axle wheels.

IVECO BRAKE TURBO engine brake: braking power 255 kW (342 HP).

On request: 1st axle immobiliser system.

OFF/ROAD button for excluding ABS for speed 15 kph.



ELECTRICAL SYSTEM

Voltage: 24 V

Alternator generator 90 A - 28 V (2520 W).

Accumulators: 2 in series, 180 Ah.

Starter motor 24 V 5.5 kW.

Mechanically controlled electrical circuit breaker.



CAB

Standard white short cab built in galvanized pressed steel with hydraulic tilting up to 60°. Cab suspension with 4 helicoidal springs with coaxial shock absorbers and integrated dampers, anti-roll bar and end-of-stroke pads. Tinted electric door windows. Mechanical rear view mirrors, wide angle mirrors and front view mirror. Internal panels completely washable and fireproof. Compressed air quick coupling for cab cleaning. 4-speed ventilation and heating system with air recirculation system. Air suspended 3-way adjustable driver seat with seat belts. Mechanical passenger seat with seat belts.